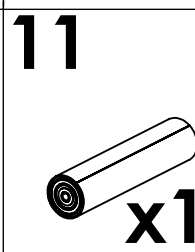
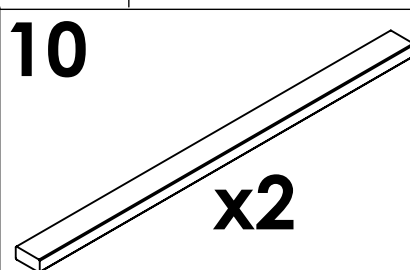
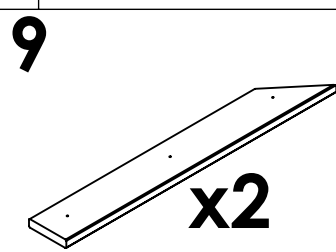
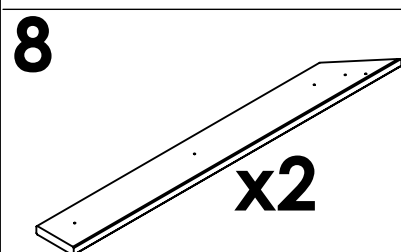
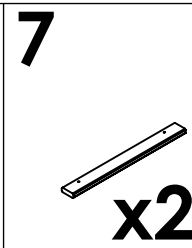
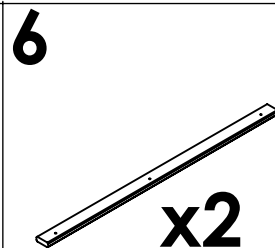
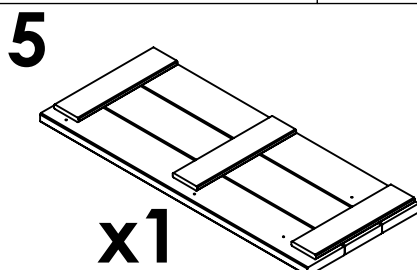
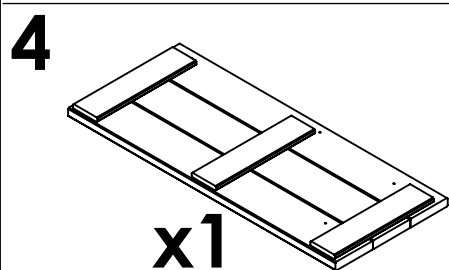
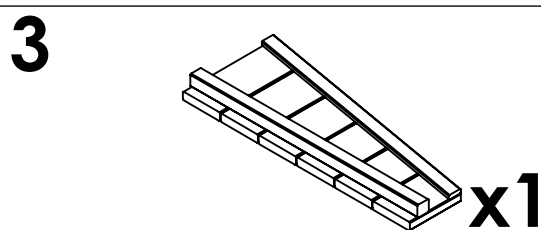
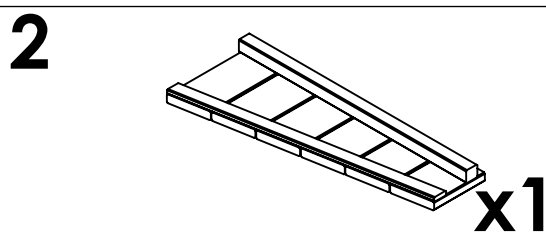
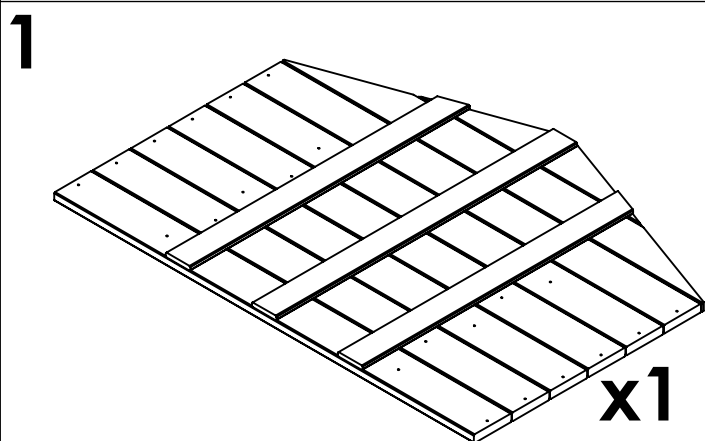
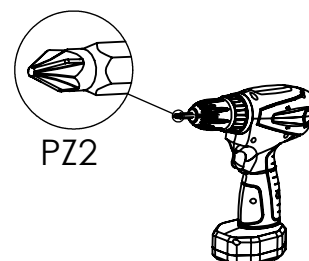


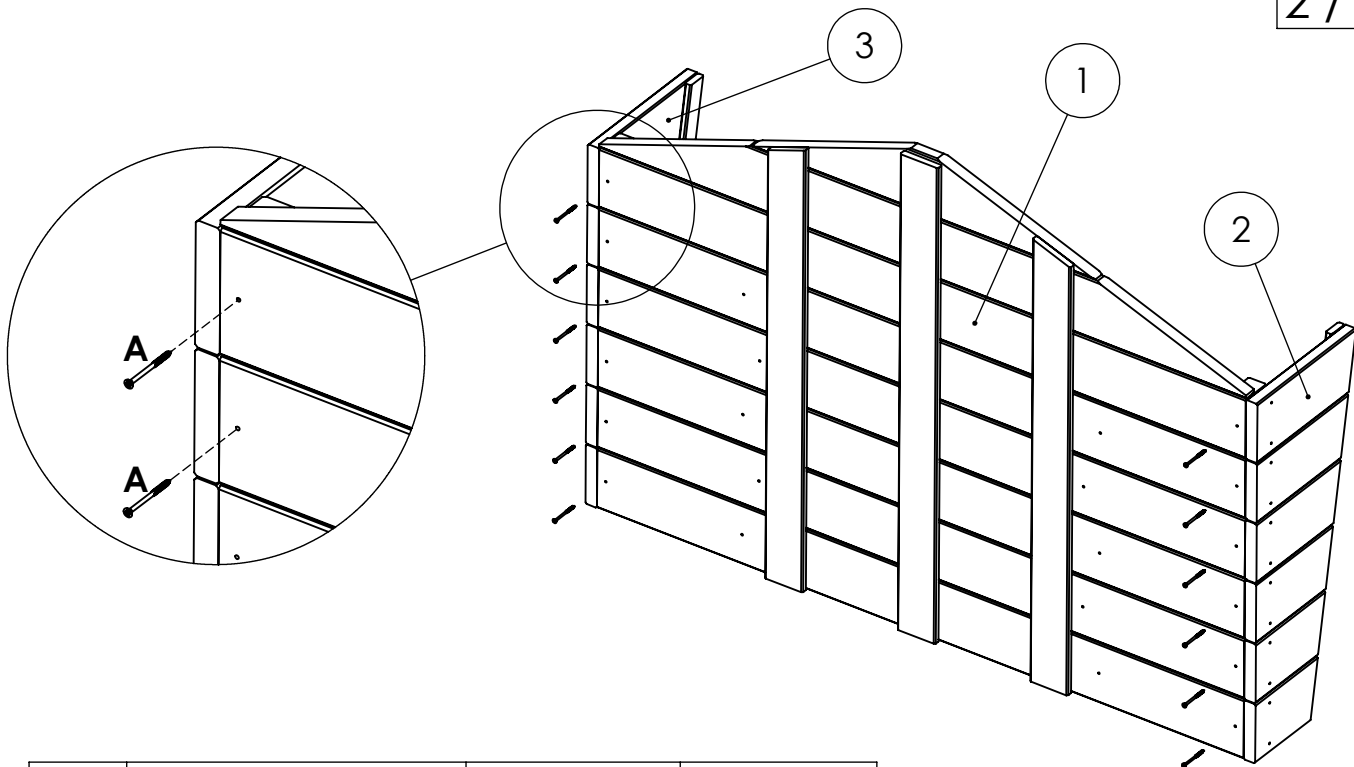
257352

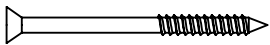


A		4x60	x46
B		4x40	x10

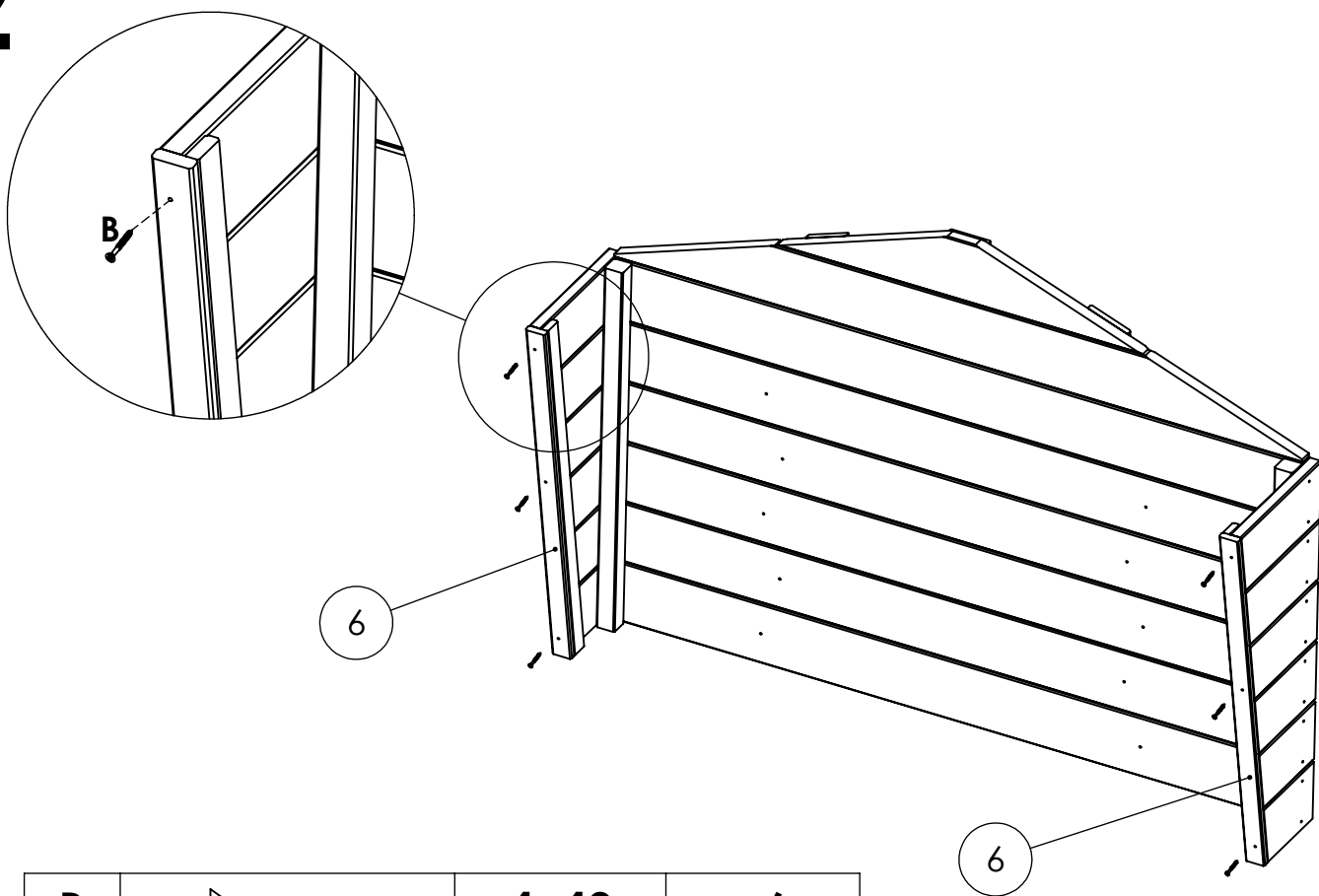



1



A		4x60	x12
----------	---	-------------	------------

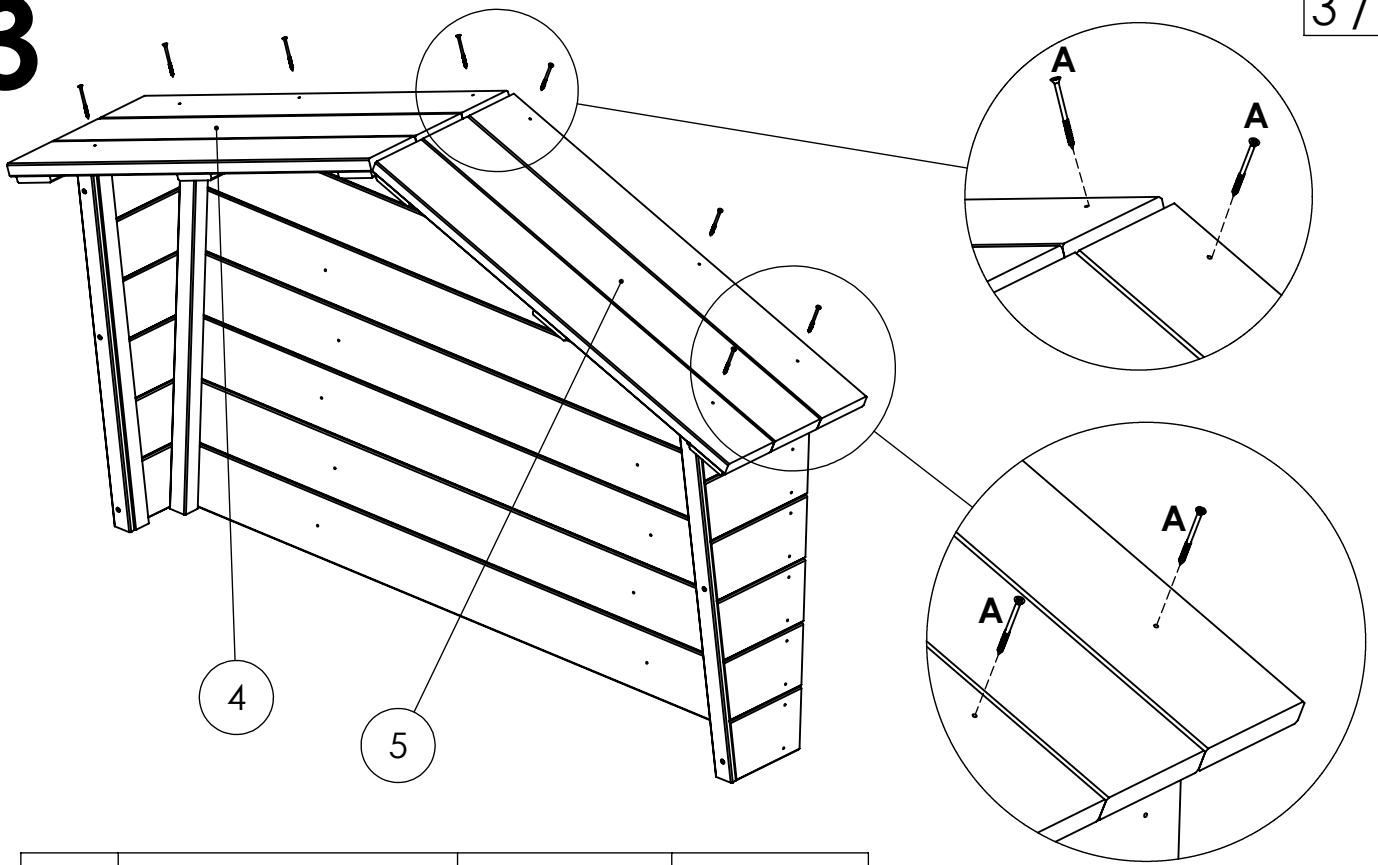
2

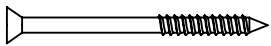


B		4x40	x6
----------	---	-------------	-----------

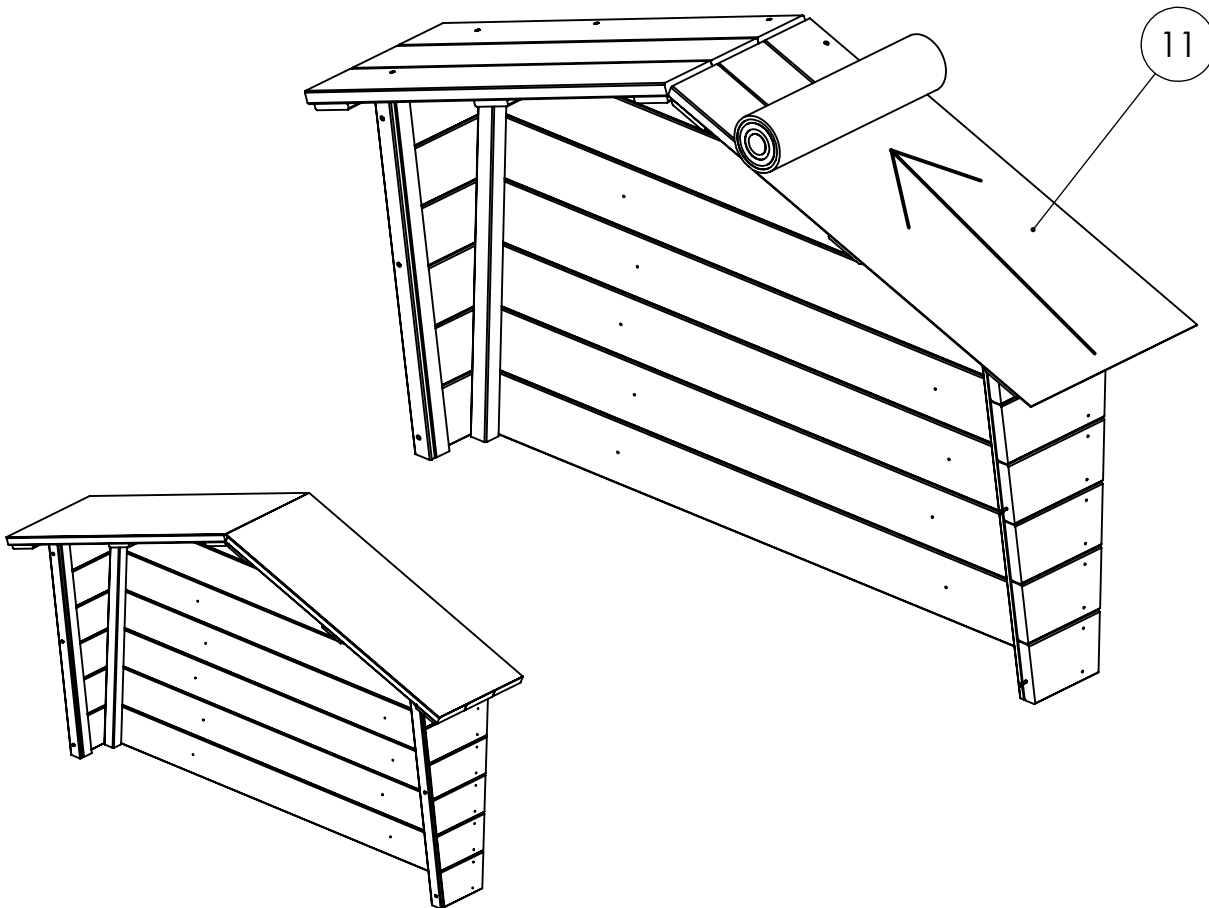
3

3 / 4

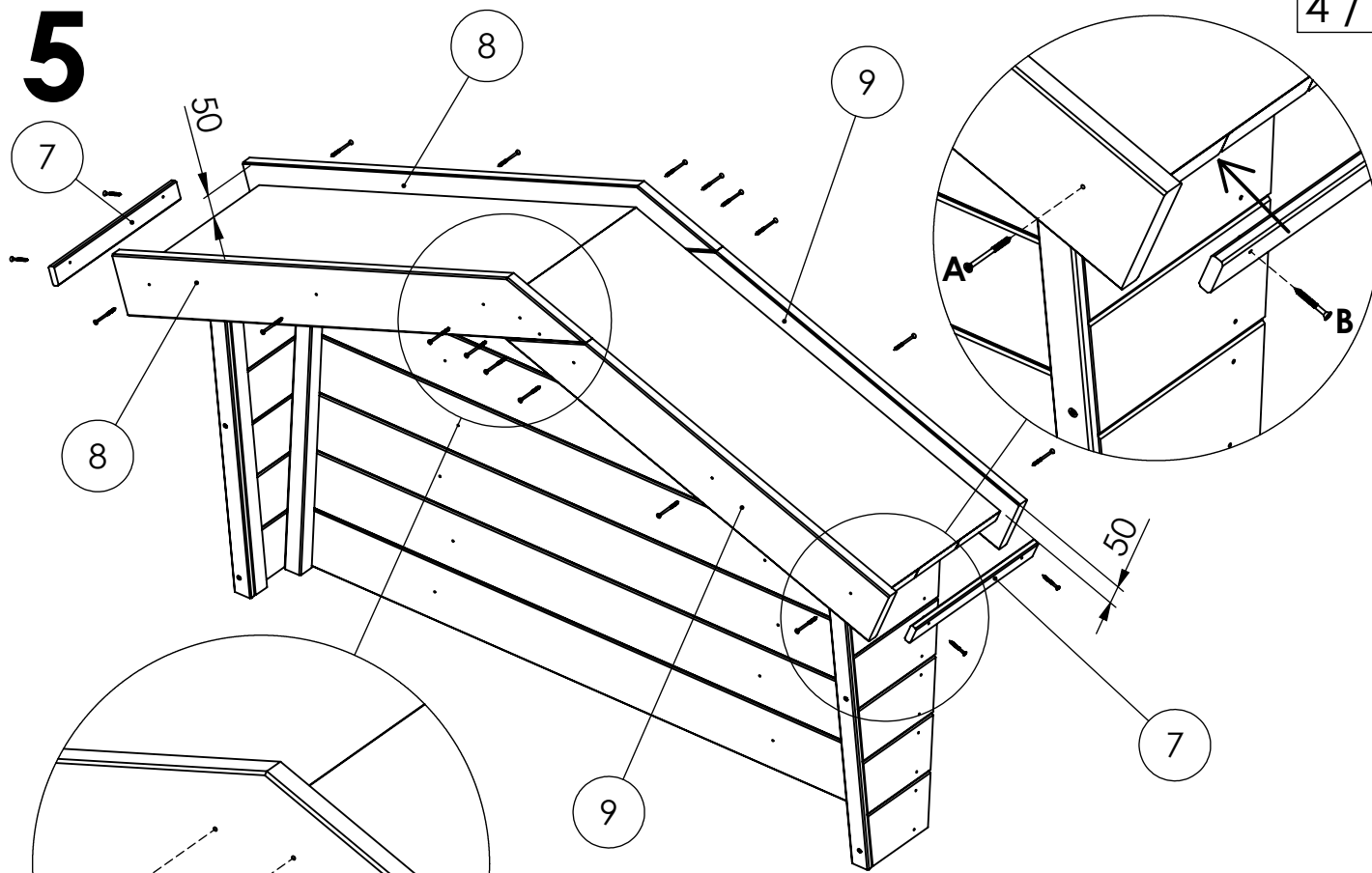


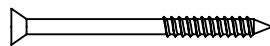

A		4x60	x8
----------	---	-------------	-----------

4

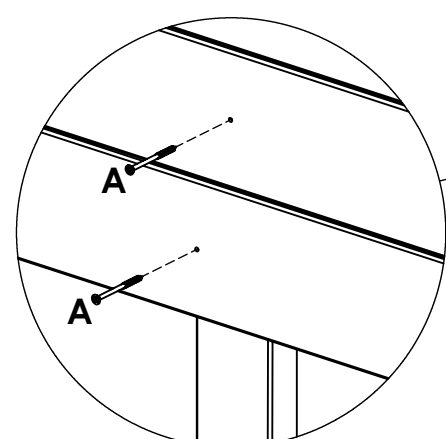
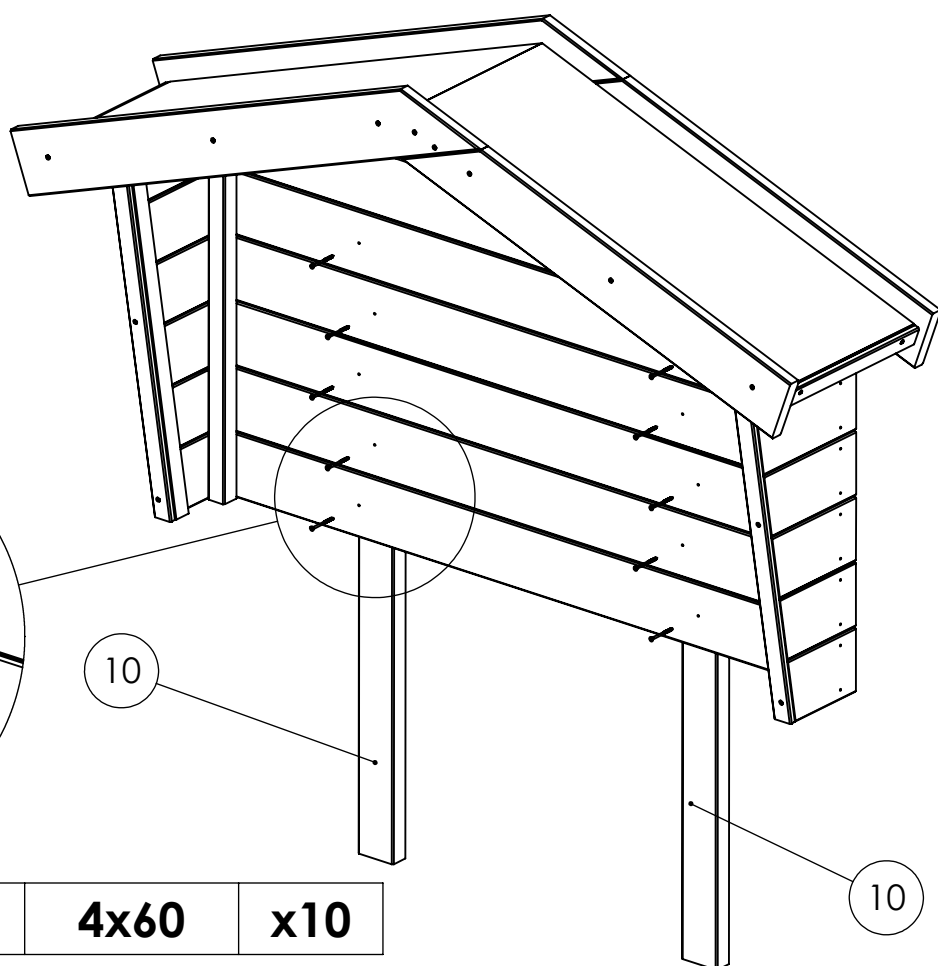
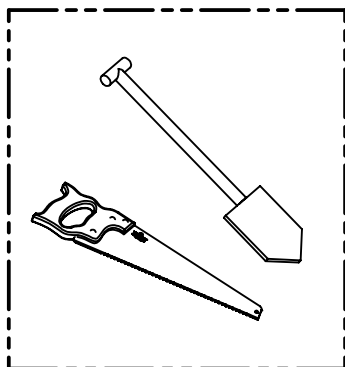


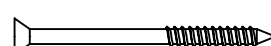
5



A		4x60	x16
B		4x40	x4

6



A		4x60	x10
----------	---	-------------	------------