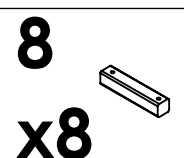
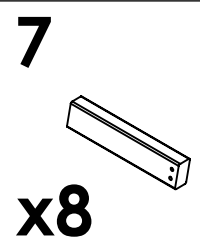
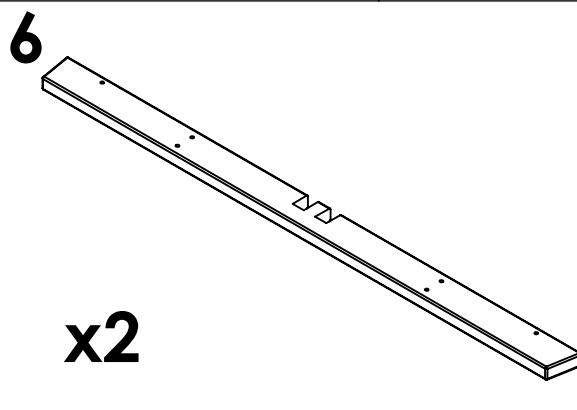
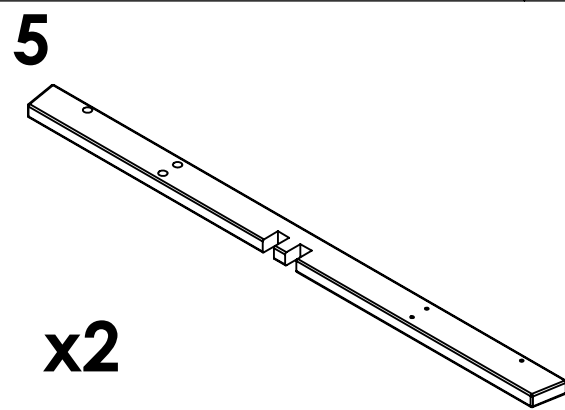
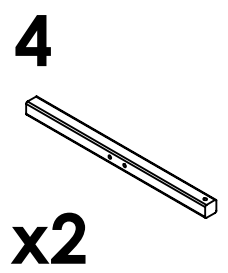
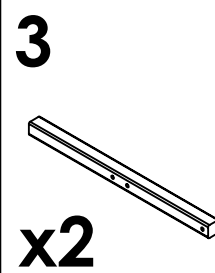
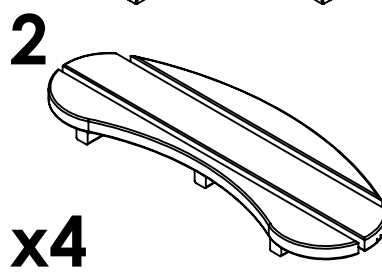
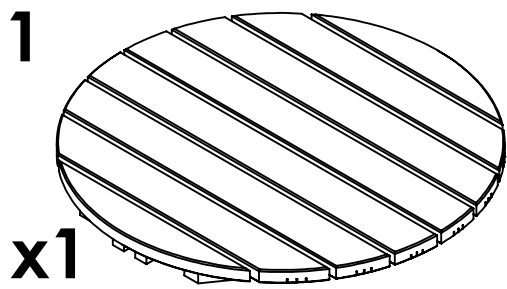
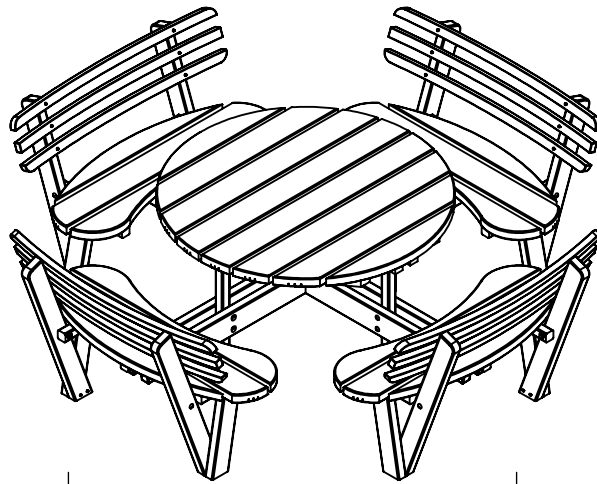
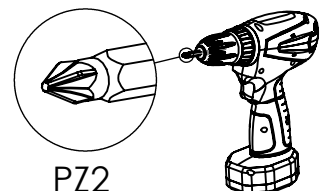
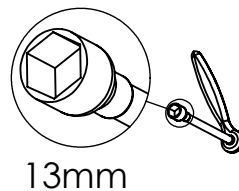


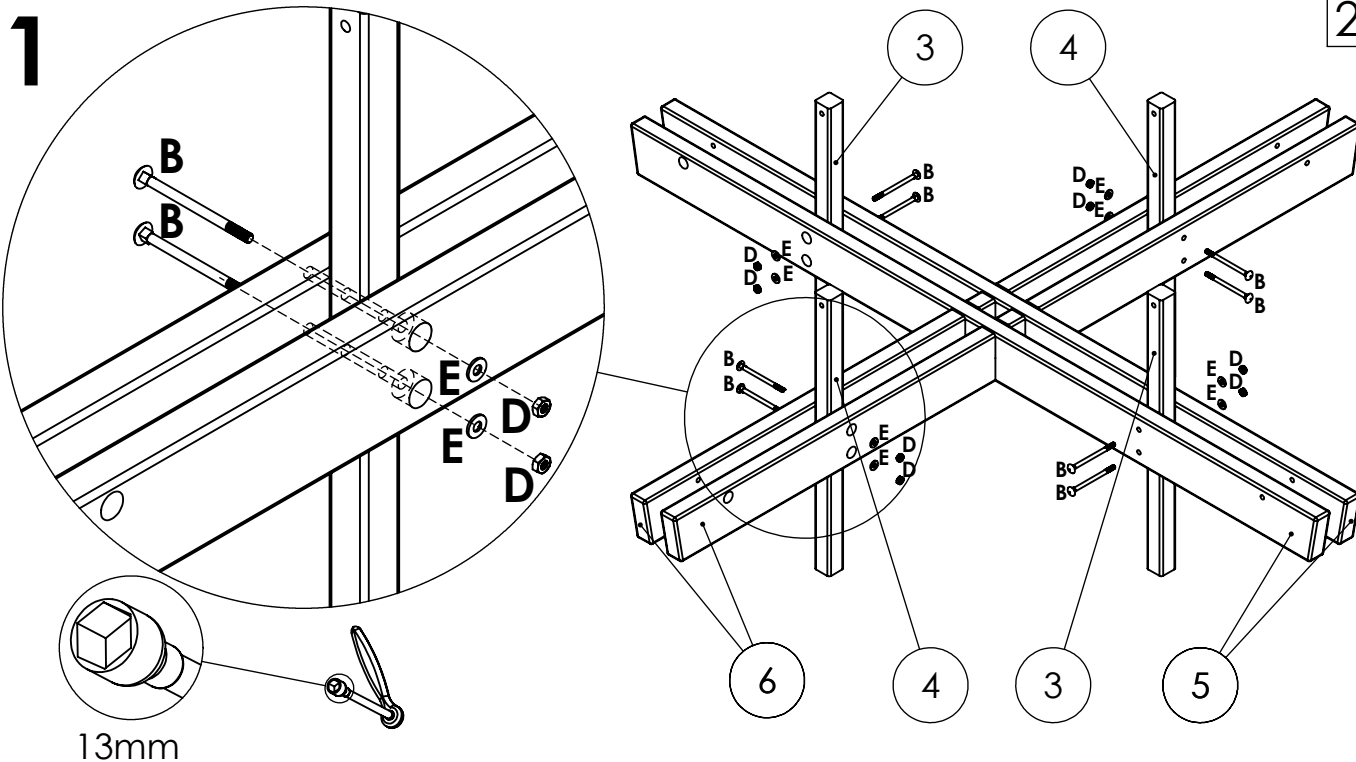
# BENKSETT RONDO M/RYGG -125120

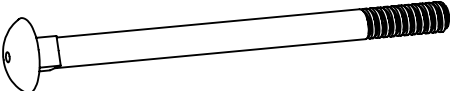




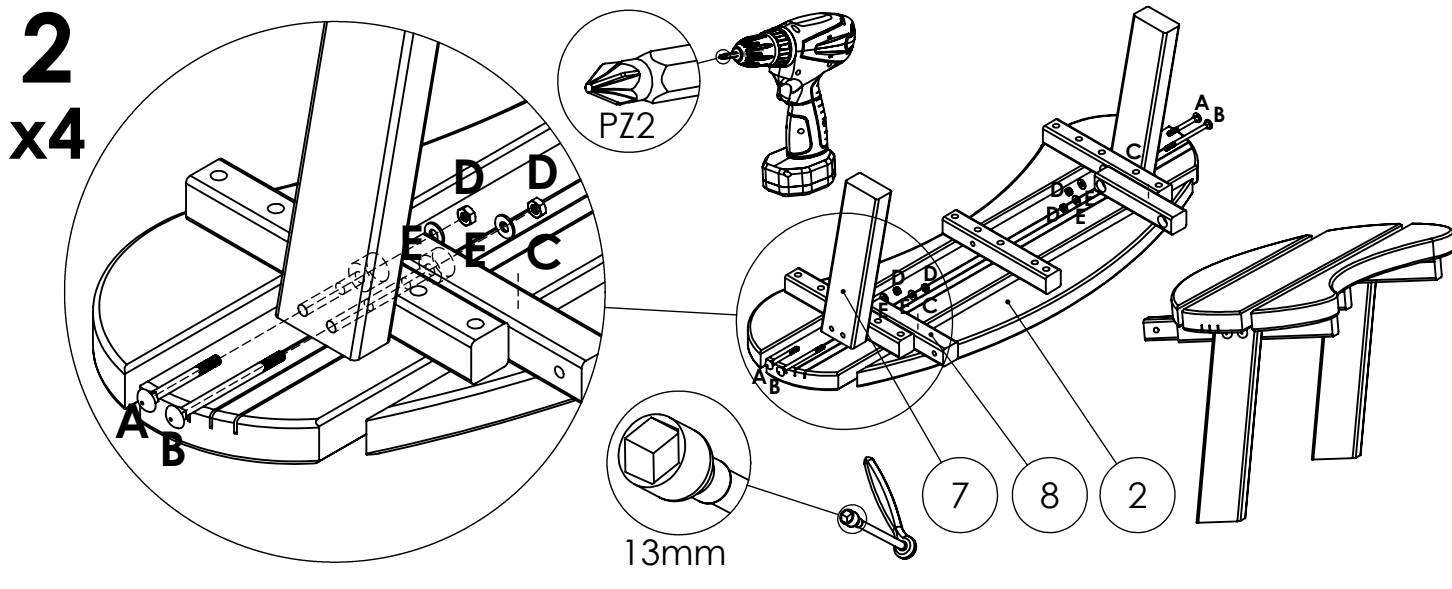
<b>A</b>		<b>M8x80</b>	<b>x18</b>	<b>9</b>	
<b>B</b>		<b>M8x120</b>	<b>x22</b>	<b>x8</b>	
<b>C</b>		<b>5x50</b>	<b>x32</b>	<b>10</b>	
<b>D</b>		<b>M8</b>	<b>x40</b>	<b>x4</b>	
<b>E</b>		<b>M8</b>	<b>x40</b>	<b>11</b>	
<b>F</b>		<b>5x70</b>	<b>x16</b>	<b>x8</b>	

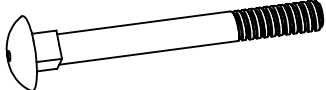
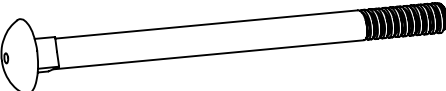
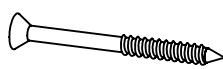


**VIKTIG!**  
Ikke stram skruene under montering,  
alle skruer må strammes etter montering.



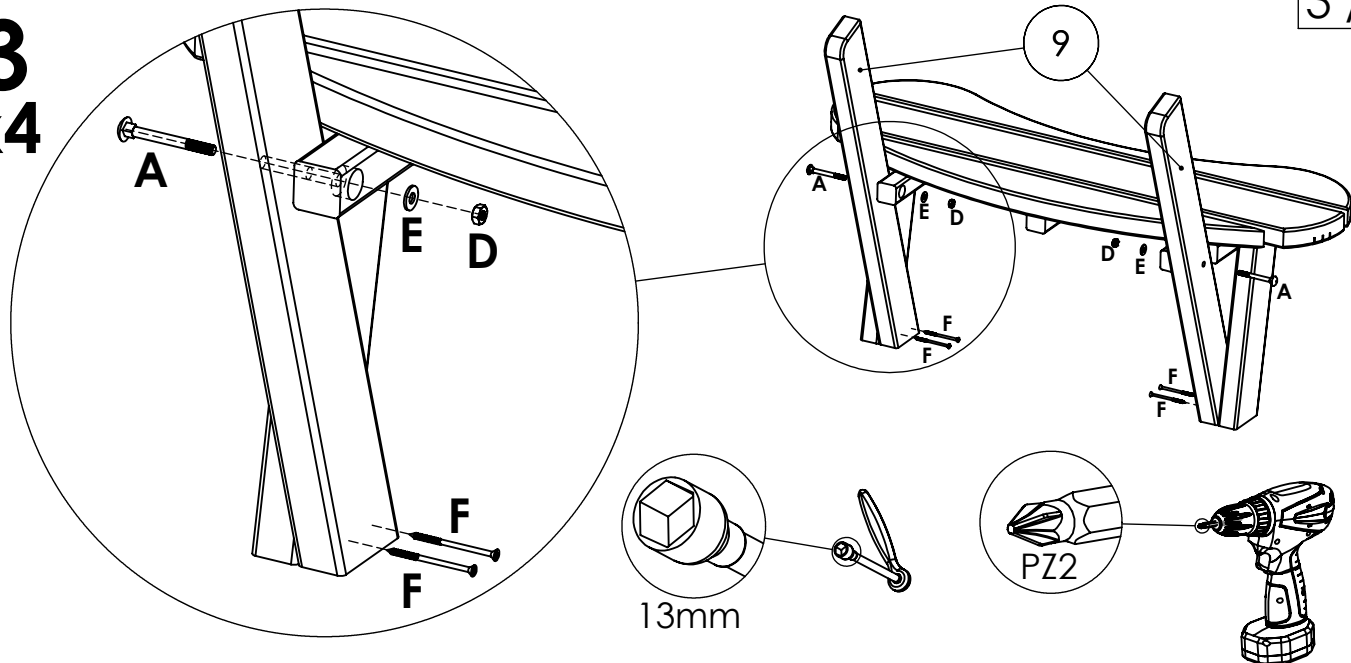


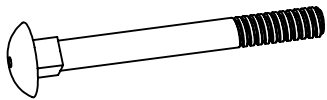



<b>B</b>		<b>M8x120</b>	<b>x8</b>
<b>D</b>		<b>M8</b>	<b>x8</b>
<b>E</b>		<b>M8</b>	<b>x8</b>



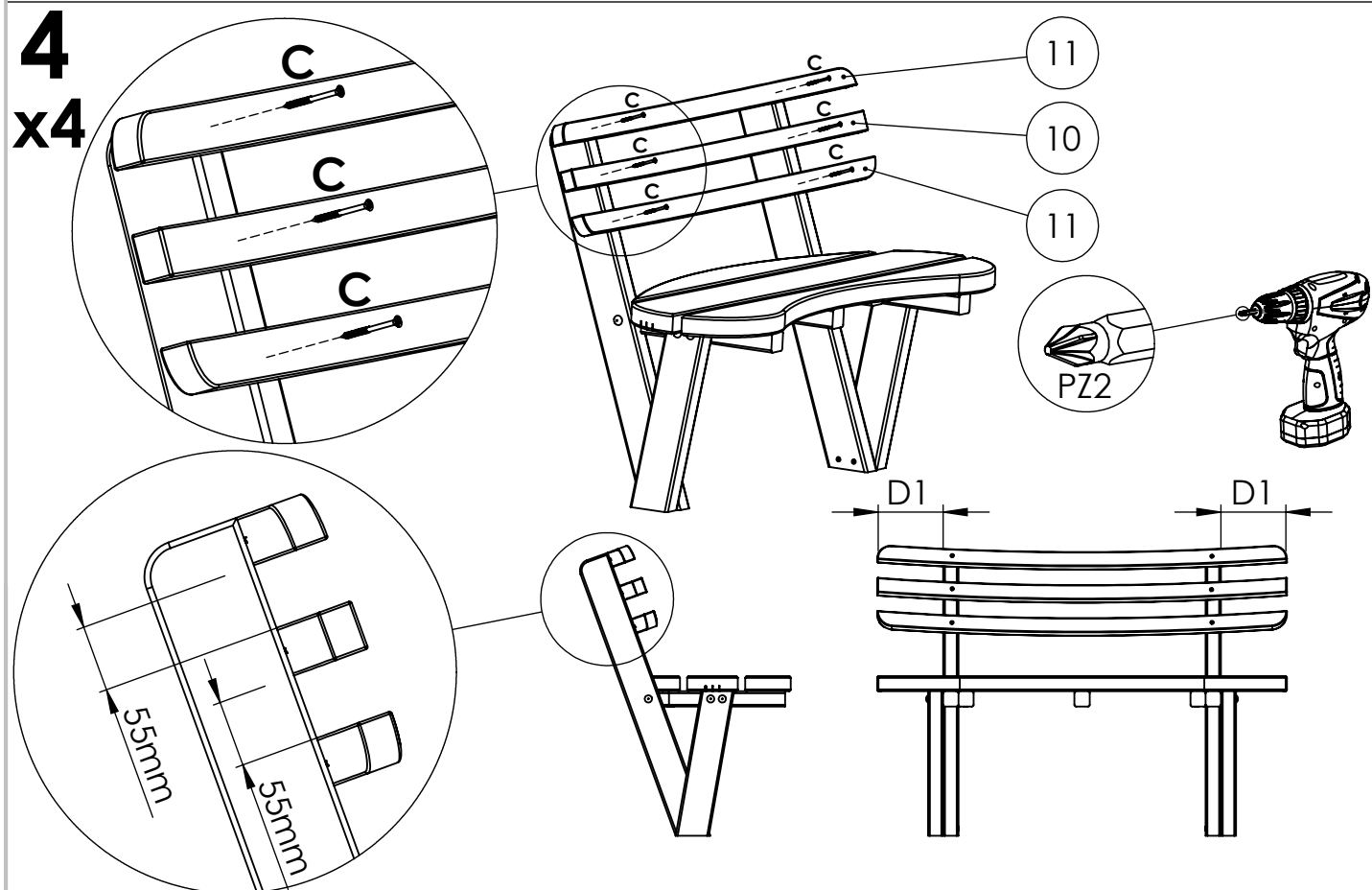
<b>A</b>		<b>M8x80</b>	<b>x8</b>
<b>B</b>		<b>M8x120</b>	<b>x8</b>
<b>C</b>		<b>5x50</b>	<b>x8</b>
<b>D</b>		<b>M8</b>	<b>x16</b>
<b>E</b>		<b>M8</b>	<b>x16</b>

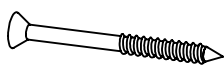
**3  
x4**



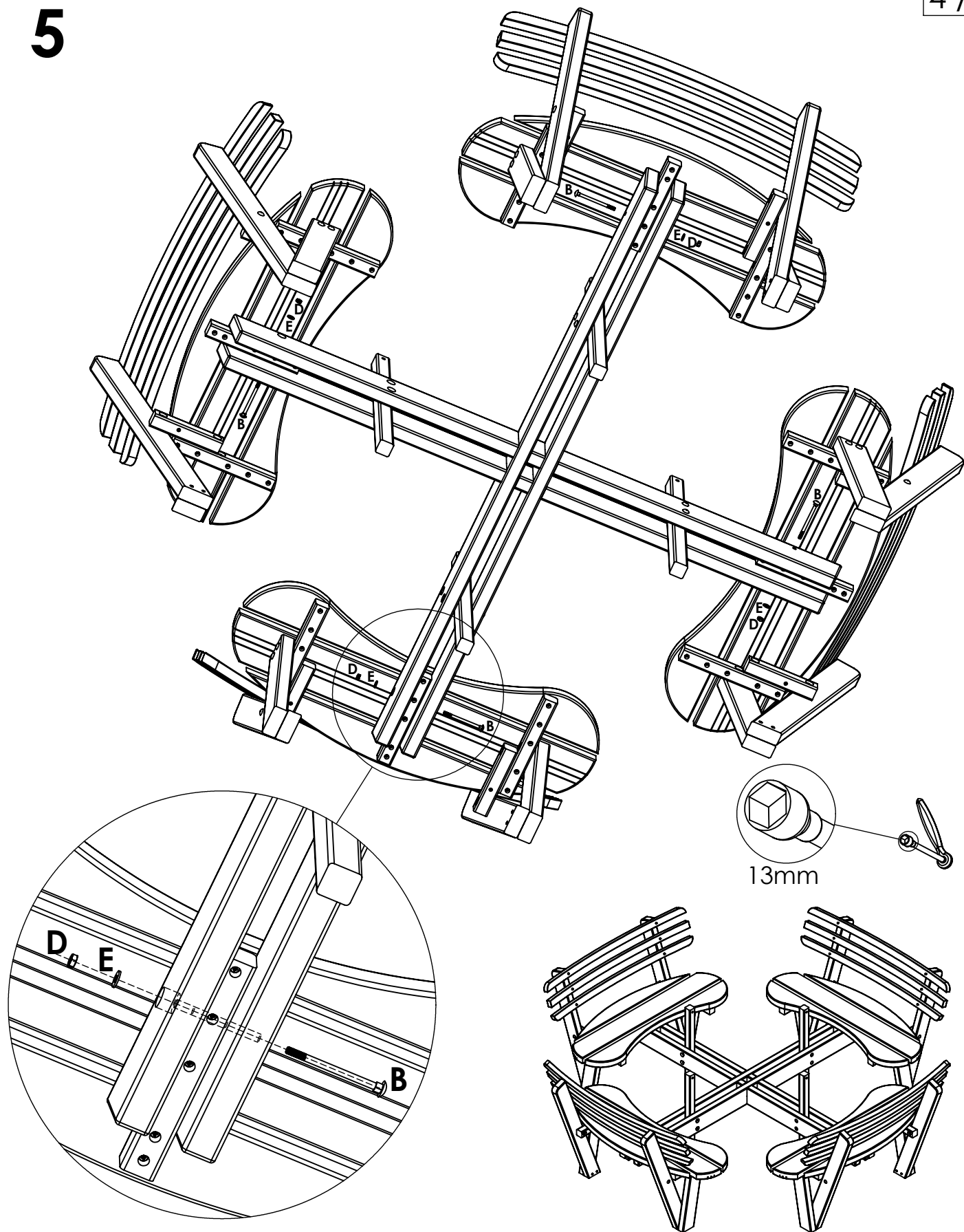
<b>A</b>		<b>M8x80</b>	<b>x8</b>
<b>D</b>		<b>M8</b>	<b>x8</b>
<b>E</b>		<b>M8</b>	<b>x8</b>
<b>F</b>		<b>5x70</b>	<b>x16</b>

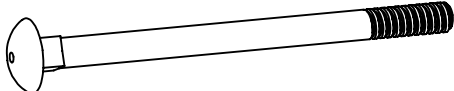


**4  
x4**

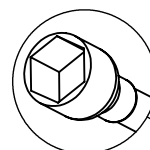
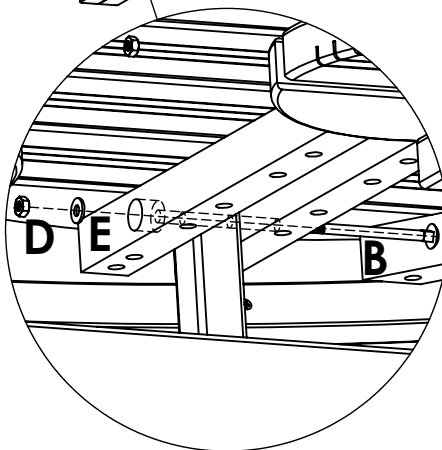
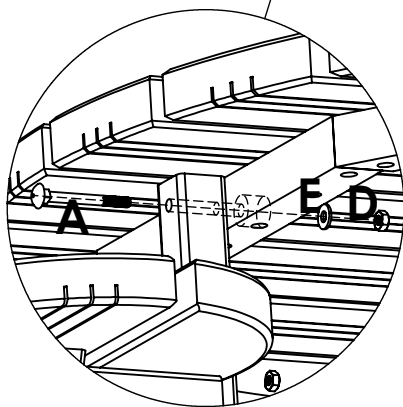
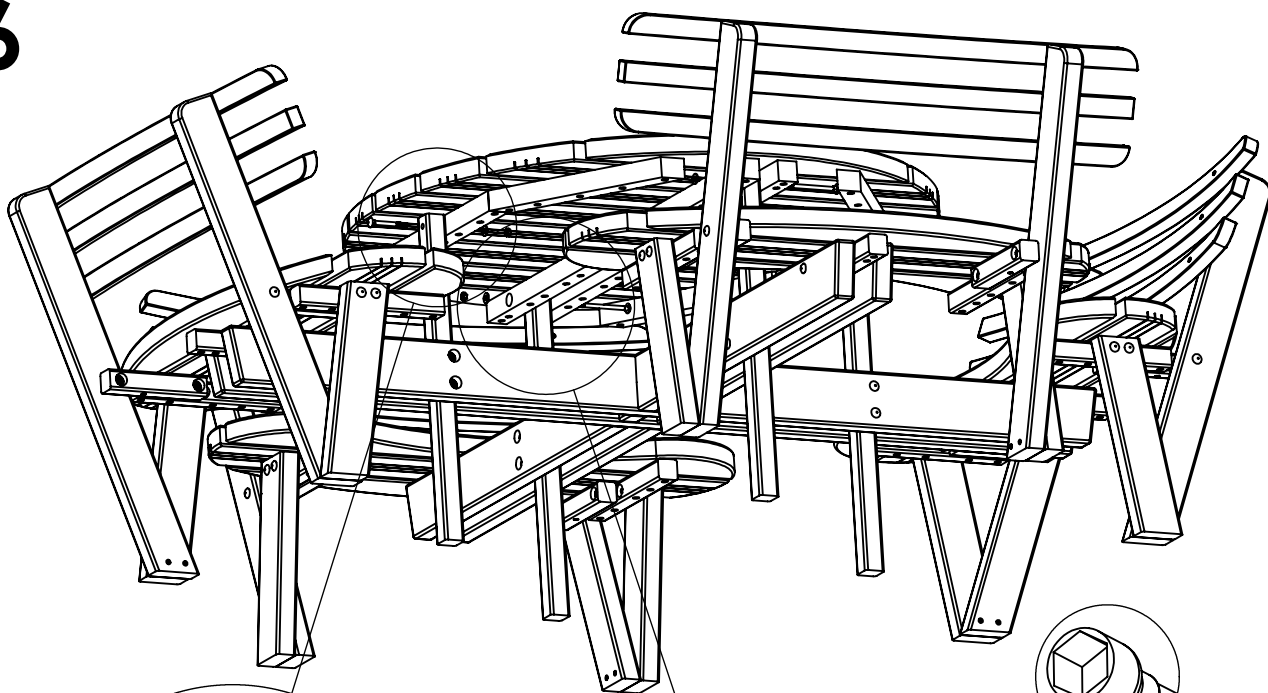


<b>C</b>		<b>5x50</b>	<b>x24</b>
----------	---	-------------	------------

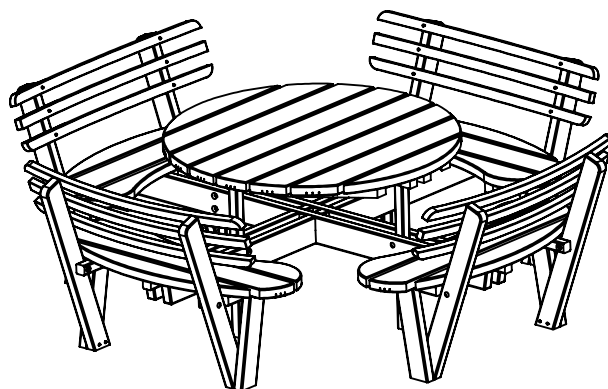
5

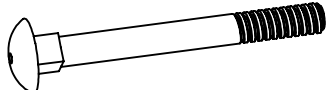
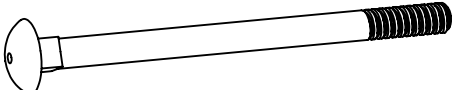




<p><b>B</b></p>		<p><b>M8x120</b></p>	<p><b>x4</b></p>
<p><b>D</b></p>		<p><b>M8</b></p>	<p><b>x4</b></p>
<p><b>E</b></p>		<p><b>M8</b></p>	<p><b>x4</b></p>



13mm



A		M8x80	x2
B		M8x120	x2
D		M8	x4
E		M8	x4